

CELLYTE VRLA BATTERY

CELLYTE Gel-OPzV RANGE Tubular Plate Gel Batteries

Sealed Valve Regulated
Gel Maintenance Free
Lead Acid Batteries

APPLICATIONS

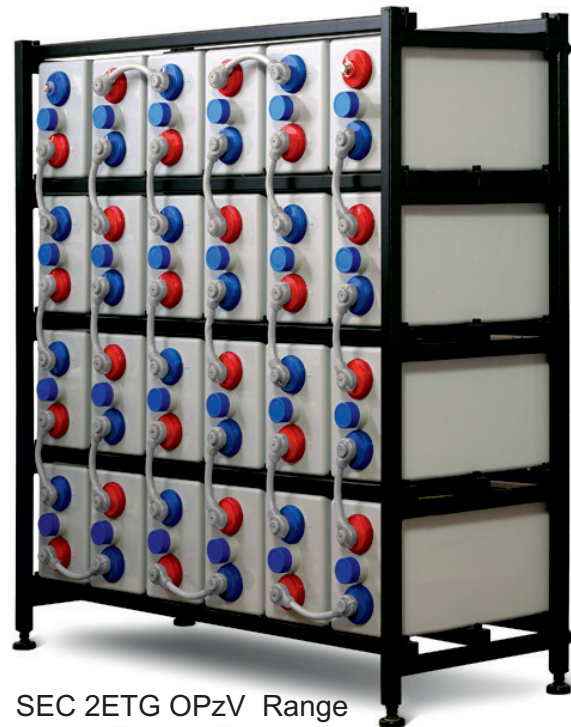
Photovoltaic / Cyclic
Telecommunications
Switchgear
Control Systems
Cellular Radio
Navigation Aids
UPS

FULLY RECYCLABLE GVR
LEAD ACID BATTERIES

DESIGN LIFE : 18 Years in Float Service
CAPACITY : 100 to 3000 AH. C₁₀ at 20C
1200 Cycles @ 80% DOD

SPECIFICATION:

Positive electrode: Tubular Plate with antimony-free special alloy
Negative electrode: Grid plate
Electrolyte: Suspended Thixotropic Gel
Container & Cover: Opaque Grey SAN
Separators: Microporous plastic
Float Voltage: 2.23 VPC +/- 1% at 20 C
Max. Charge Voltage: 2.40 VPC at 20 C
Safety Valve: 1-3 PSI Self-Resealing
Terminals: Integral Copper Insert for M8 bolt for cells 2ETG100 to 600
Integral Copper Insert for M10 bolt for cells 2ETG700 to 3000
Interconnects: Insulated cables



SEC 2ETG OPzV Range
in Tubular Rack

MANUFACTURED TO COMPLY
WITH DIN 40736 part 3.
and DIN 43 539 T5

INNOVATIVE FEATURES:

Never requires watering
Spill proof and leak proof
No gases escape in charging
Explosion proof
Increased safety
Freezing tolerated
Accepts high charge rate
Requires no equalisation
Long life
Deep cycle capability
Low self discharge



CELLYTE Gel OPzV Range - GVRLA Tubular Plate

Stationary & Solar / Cyclic Applications

SEC BLOC & CELL & DIN TYPE	End / Final VPC	DISCHARGE TIME IN HOURS												End / Final VPC	TIME MINUTES		
		Capacity in Amp Hours @ 20 C.													Capacity Amps 20 C.		
		120	100	48	24	10	8	6	5	4	3	2	1		30	15	10
SEC 2ETG 100 2 OPzV 100	1.85	126	123	115	107	93.5	88.8	83.5	79.8	76.4	70.1	60.8	44.9	1.80	71.0	94.0	105
	1.80	129	127	120	113	100	95.4	87.0	86.0	80.0	76.2	66.8	50.5	1.75	76.0	105	124
SEC 2ETG 150 3 OPzV 150	1.75	134	131	124	115	102	96.8	88.7	87.8	82.0	77.9	68.6	52.0	1.65	83.5	121	150
	1.85	189	185	173	161	140	133	125	120	115	105	91.2	67.3	1.80	107	141	158
SEC 2ETG 200 4 OPzV 200	1.80	194	191	180	170	150	143	131	129	120	114	100	75.8	1.75	114	158	186
	1.75	201	197	185	173	152	145	133	132	123	117	103	78.0	1.65	125	182	224
SEC 2ETG 250 5 OPzV 250	1.85	252	246	230	215	187	178	167	160	153	140	122	89.7	1.80	142	188	210
	1.80	258	254	240	226	200	191	174	172	160	152	134	101	1.75	152	210	248
SEC 2ETG 300 6 OPzV 300	1.75	268	263	247	231	203	194	177	176	164	156	137	104	1.65	167	242	299
	1.85	314	308	288	268	234	222	209	200	191	175	152	112	1.80	178	263	178
SEC 2ETG 350 5 OPzV 350	1.80	323	318	300	283	250	239	218	215	200	191	167	126	1.75	190	263	311
	1.75	335	329	309	288	254	242	222	219	205	195	172	131	1.65	209	303	374
SEC 2ETG 400 6 OPzV 400	1.85	377	370	346	322	281	266	251	239	229	210	182	135	1.80	214	282	315
	1.80	387	381	360	339	300	286	261	258	240	229	200	152	1.75	228	316	373
SEC 2ETG 450 6 OPzV 450	1.75	402	394	371	346	305	290	266	263	246	234	206	158	1.65	251	364	449
	1.85	440	431	403	376	325	310	292	278	267	243	210	157	1.80	240	306	337
SEC 2ETG 500 7 OPzV 500	1.80	452	445	420	396	350	334	305	299	280	264	230	176	1.75	256	343	399
	1.75	470	460	433	403	356	337	311	305	287	270	238	183	1.65	282	395	481
SEC 2ETG 550 7 OPzV 550	1.85	528	517	484	451	393	371	351	333	321	292	252	188	1.80	289	367	405
	1.80	542	533	504	475	420	401	365	359	336	318	278	212	1.75	308	411	479
SEC 2ETG 600 8 OPzV 600	1.75	563	552	519	484	427	405	373	366	344	324	284	220	1.65	339	474	577
	1.85	616	604	564	526	459	434	409	388	374	339	294	219	1.80	337	429	472
SEC 2ETG 650 8 OPzV 650	1.80	632	622	588	554	490	467	426	419	392	369	324	247	1.75	359	480	559
	1.75	657	644	606	565	498	472	435	427	402	378	332	257	1.65	395	553	673
SEC 2ETG 700 9 OPzV 700	1.85	755	739	691	644	562	526	501	471	458	411	354	267	1.80	390	470	503
	1.80	774	762	720	678	600	572	522	510	480	447	390	301	1.75	416	526	595
SEC 2ETG 750 9 OPzV 750	1.75	805	789	742	692	609	574	532	520	492	456	400	313	1.65	458	607	717
	1.85	880	862	806	751	655	615	585	551	535	480	413	312	1.80	455	549	590
SEC 2ETG 800 10 OPzV 800	1.80	903	889	840	791	700	668	609	591	560	522	453	351	1.75	485	614	695
	1.75	939	920	865	807	711	669	621	604	574	533	467	366	1.65	534	708	837
SEC 2ETG 850 10 OPzV 850	1.85	1006	986	922	859	749	702	668	630	611	549	472	356	1.80	520	627	674
	1.80	1032	1016	960	904	800	763	696	675	640	597	518	401	1.75	554	702	794
SEC 2ETG 900 11 OPzV 900	1.75	1073	1052	989	922	813	765	710	690	656	609	534	418	1.65	610	809	956
	1.85	1132	1109	1037	966	843	792	752	707	688	616	531	401	1.80	585	706	755
SEC 2ETG 950 11 OPzV 950	1.80	1161	1143	1080	1017	900	859	783	761	720	672	583	452	1.75	624	789	893
	1.75	1207	1183	1112	1037	918	857	799	779	738	686	599	470	1.65	687	910	1076
SEC 2ETG 1000 12 OPzV 1000	1.85	1258	1232	1152	1074	937	880	835	785	764	684	590	445	1.80	650	784	839
	1.80	1290	1270	1200	1130	1000	954	870	845	800	747	648	502	1.75	693	877	992
SEC 2ETG 1050 12 OPzV 1050	1.75	1342	1314	1236	1153	1020	952	887	865	820	762	666	522	1.65	763	1011	1196
	1.85	1509	1478	1382	1288	1120	1056	1002	940	917	822	708	535	1.80	780	941	1006
SEC 2ETG 1100 13 OPzV 1100	1.80	1548	1524	1440	1356	1200	1145	1044	1015	960	894	778	602	1.75	832	1053	1190
	1.75	1610	1577	1483	1383	1220	1144	1065	1035	984	915	800	626	1.65	915	1213	1435
SEC 2ETG 1150 13 OPzV 1150	1.85	1887	1848	1728	1610	1400	1312	1253	1165	1146	1017	872	666	1.80	910	1034	1077
	1.80	1935	1905	1800	1695	1500	1431	1305	1260	1200	1107	958	750	1.75	970	1157	1274
SEC 2ETG 1200 14 OPzV 1200	1.75	2012	1972	1854	1729	1520	1424	1331	1285	1230	1131	984	781	1.65	1068	1333	1535
	1.85	2201	2156	2016	1879	1636	1526	1462	1361	1337	1187	1017	777	1.80	1062	1201	1257
SEC 2ETG 1250 14 OPzV 1250	1.80	2258	2223	2100	1978	1750	1670	1523	1470	1400	1289	1117	875	1.75	1131	1350	1486
	1.75	2348	2300	2163	2017	1776	1659	1553	1496	1435	1318	1148	911	1.65	1246	1556	1791
SEC 2ETG 1300 15 OPzV 1300	1.85	2358	2310	2160	2013	1753	1635	1566	1458	1433	1271	1089	833	1.80	1138	1287	1346
	1.80	2419	2381	2250	2119	1875	1789	1631	1575	1500	1381	1196	938	1.75	1212	1447	1592
SEC 2ETG 1350 15 OPzV 1350	1.75	2516	2465	2318	2161	1903	1778	1664	1603	1538	1412	1230	976	1.65	1335	1667	1919
	1.85	2516	2464	2304	2147	1870	1744	1670	1555	1528	1356	1162	888	1.80	1214	1373	1436
SEC 2ETG 1400 16 OPzV 1400	1.80	2580	2540	2400	2260	2000	1908	1740	1680	1600	1473	1276	1000	1.75	1293	1543	1698
	1.75	2683	2629	2472	2305	2030	1896	1775	1710	1640	1506	1312	1041	1.65	1424	1778	2047
SEC 2ETG 1450 16 OPzV 1450	1.85	2971	2772	2592	2415	2106	1966	1879	1751	1719	1526	1307	999	1.80	1365	1551	1616
	1.80	3048	2858	2700	2543	2250	2147	1958	1890	1800	1658	1436	1125	1.75	1455	1736	1911
SEC 2ETG 1500 18 OPzV 1500	1.75	3170	2958	2781	2593	2286	2138	1997	1926	1845	1696	1476	1171	1.65	1602	2000	2303
	1.85	3302	3080	2880	2684	2340	2184	2088	1945	1910	1695	1452	1110	1.80	1517	1723	1795
SEC 2ETG 1550 20 OPzV 1550	1.80	3386	3175	3000	2825	2500	2385	2175	2100	2000	1842	1596	1250	1.75	1617	1929	2123
	1.75	3522	3286	3090	2882	2540	2376	2219	2140	2050	1884	1640	1301	1.65	1780	2222	2559
SEC 2ETG 1600 20 OPzV 1600	1.85	3773	3696	3456	3221	2810	2616	2506	2335	2292	2031	1742	1332	1.80	1820	2068	2154
	1.80	3870	3810	3600	3390	3000	2862	2610	2520	2400	2211	1914	1500	1.75	1940	2314	2548
SEC 2ETG 1650 24 OPzV 1650	1.75	4025	3943	3708	3458	3050	2848	2662	2565	2460	2262	1968	1561	1.65	2136	2667	3071

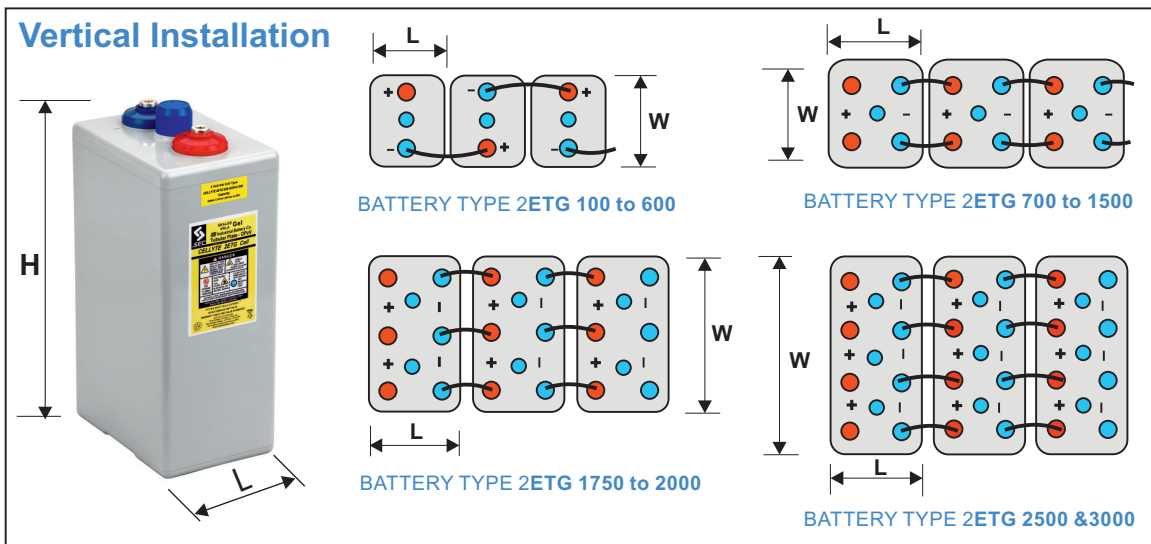
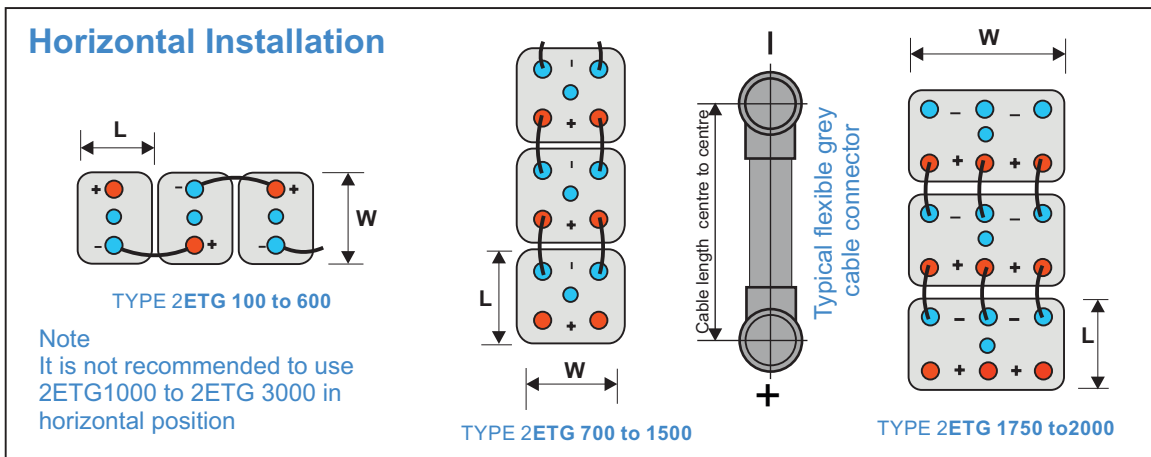
Actual Capacity may be +/- 5% of figures shown

CELLYTE Gel OPzV Range - GVRLA Tubular Plate

Cell / Battery Dimensions, Weight and Packing Information

SEC CELL TYPE	European DIN TYPE	Nom. Volts	Nominal Capacity AH - C/10	Capacity C/120 1.80 Amp hour	Overall Dimensions			Number of Terminal	Unit Weight KG	Units per Crate	Crate Weight KG	Crates per 20' Container	Cells per 20' Container
					Length mm	Width mm	Height mm						
SEC 2ETG 100	2 OPzV 100	2	100	129	105	208	393	2	14	12	213	98	1176
SEC 2ETG 150	3 OPzV 150	2	150	194	105	208	393	2	16	12	237	88	1056
SEC 2ETG 200	4 OPzV 200	2	200	258	105	208	393	2	18	12	261	80	960
SEC 2ETG 250	5 OPzV 250	2	250	323	126	208	393	2	22	12	309	68	816
SEC 2ETG 300	6 OPzV 300	2	300	387	147	208	393	2	26	12	357	59	708
SEC 2ETG 350	5 OPzS 350	2	350	452	147	208	509	2	29	12	393	53	636
SEC 2ETG 420	6 OPzV 420	2	420	542	147	208	509	2	34	12	453	46	552
SEC 2ETG 500	7 OPzV 490	2	500	632	168	208	509	2	39	12	513	41	492
SEC 2ETG 600	6 OPzV 600	2	600	774	147	208	684	2	46	12	597	35	420
SEC 2ETG 700	7 OPzV 700	2	700	903	193	212	684	4	59	8	522	40	320
SEC 2ETG 800	8 OPzV 800	2	800	1032	193	212	684	4	63	8	554	38	304
SEC 2ETG 900	9 OPzV 900	2	900	1161	235	212	684	4	72	8	626	34	272
SEC 2ETG 1000	10 OPzV 1000	2	1000	1290	235	212	684	4	79	8	678	31	248
SEC 2ETG 1200	12 OPzV 1200	2	1200	1548	277	212	684	4	93	8	794	26	208
SEC 2ETG 1500	12 OPzV 1500	2	1500	1935	277	212	834	4	115	8	970	22	176
SEC 2ETG 1750	14 OPzV 1750	2	1750	2258	400	212	810	6	136	6	866	24	144
SEC 2ETG 1875	15 OPzV 1875	2	1875	2419	400	212	810	6	148	6	938	22	132
SEC 2ETG 2000	16 OPzV 2000	2	2000	2580	400	212	810	6	155	6	980	21	126
SEC 2ETG 2250	18 OPzV 2250	2	2250	3048	489	212	810	8	180	4	770	27	108
SEC 2ETG 2500	20 OPzV 2500	2	2500	3225	489	212	810	8	196	4	834	25	100
SEC 2ETG 3000	24 OPzV 3000	2	3000	3870	576	212	810	8	232	4	978	21	84

The information shown above may be changed without notice





CELLYTE Gel OPzV Range - GVRLA Tubular Plate

Stationary & Solar / Cyclic Applications

SEC BLOC & CELL & DIN TYPE	End / Final VPC	DISCHARGE TIME IN HOURS												End / Final VPC	TIME MINUTES		
		Capacity in Amps @ 20 C.													Capacity Amps 20 C.		
		120	100	48	24	10	8	6	5	4	3	2	1		30	15	10
	1.85	1.05	1.23	2.40	4.47	9.35	11.1	13.9	16.0	19.1	23.4	30.4	44.9	1.80	71.0	94.0	105
SEC 2ETG 100	1.80	1.08	1.27	2.50	4.71	10.0	11.9	14.5	17.2	20.0	25.4	33.4	50.5	1.75	76.0	105	124
2 OPzV 100	1.75	1.12	1.31	2.58	4.80	10.2	12.1	14.8	17.6	20.5	26.0	34.3	52.0	1.65	83.5	121	150
	1.85	1.57	1.85	3.60	6.71	14.0	16.7	20.9	23.9	28.7	35.0	45.6	67.3	1.80	107	141	158
SEC 2ETG 150	1.80	1.61	1.91	3.75	7.06	15.0	17.9	21.8	25.8	30.0	38.1	50.1	75.8	1.75	114	158	186
3 OPzV 150	1.75	1.68	1.97	3.86	7.20	15.2	18.2	22.2	26.3	30.8	38.9	51.5	78.0	1.65	125	182	224
	1.85	2.10	2.46	4.80	8.95	18.7	22.2	27.8	31.9	38.2	46.7	60.8	89.7	1.80	142	188	210
SEC 2ETG 200	1.80	2.15	2.54	5.00	9.42	20.0	23.8	29.0	34.4	40.0	50.8	66.8	101	1.75	152	210	248
4 OPzV 200	1.75	2.24	2.63	5.15	9.6	20.3	24.2	29.6	35.1	41.0	51.9	68.6	104	1.65	167	242	299
	1.85	2.62	3.08	6.00	11.2	23.4	27.8	34.8	39.9	47.8	58.4	76.0	112	1.80	178	235	263
SEC 2ETG 250	1.80	2.69	3.18	6.25	11.8	25.0	29.8	36.3	43.0	50.0	63.5	83.5	126	1.75	190	263	311
5 OPzV 250	1.75	2.80	3.29	6.44	12.0	25.4	30.3	37.0	43.8	51.3	64.9	85.8	131	1.65	209	303	374
	1.85	3.14	3.70	7.20	13.4	28.1	33.3	41.8	47.8	57.3	70.0	91.2	135	1.80	214	282	315
SEC 2ETG 300	1.80	3.23	3.81	7.50	14.1	30.0	35.7	43.5	51.6	60.0	76.2	100	152	1.75	228	316	373
6 OPzV 300	1.75	3.35	3.94	7.73	14.4	30.5	36.3	44.4	52.6	61.5	77.9	103	158	1.65	251	364	449
	1.85	3.67	4.31	8.40	15.7	32.5	38.7	48.7	55.5	66.9	81.0	105	157	1.80	240	306	337
SEC 2ETG 350	1.80	3.76	4.45	8.75	16.5	35.0	41.4	50.8	59.8	70.0	88.1	115	176	1.75	256	343	399
5 OPzV 350	1.75	3.91	4.60	9.01	16.8	35.6	42.1	51.8	61.0	71.8	90.1	119	183	1.65	282	395	481
	1.85	4.40	5.17	10.1	18.8	39.3	46.4	58.5	66.5	80.2	97.2	126	188	1.80	289	367	405
SEC 2ETG 420	1.80	4.52	5.33	10.5	19.8	42.0	49.7	60.9	71.8	84.0	106	139	212	1.75	308	411	479
6 OPzV 420	1.75	4.70	5.52	10.8	20.2	42.7	50.6	62.1	73.1	86.1	108	142	220	1.65	339	474	577
	1.85	5.14	6.04	11.8	21.9	45.9	54.2	68.2	77.6	93.6	113	147	219	1.80	337	429	472
SEC 2ETG 500	1.80	5.27	6.22	12.3	23.1	49.0	58.0	71.1	83.7	98.0	123	162	247	1.75	359	480	559
7 OPzV 490	1.75	5.48	6.44	12.6	23.5	49.8	59.0	72.5	85.3	100	126	166	257	1.65	395	553	673
	1.85	6.29	7.39	14.4	26.8	56.2	65.8	83.5	94.2	115	137	177	267	1.80	390	470	503
SEC 2ETG 600	1.80	6.45	7.62	15.0	28.3	60.0	70.5	87.0	102	120	149	195	301	1.75	416	526	595
6 OPzV 600	1.75	6.71	7.89	15.5	28.8	60.9	71.7	88.7	104	123	152	200	313	1.65	458	607	717
	1.85	7.34	8.84	16.8	31.3	65.5	76.8	97.4	110	134	160	207	312	1.80	455	549	587
SEC 2ETG 700	1.80	7.53	8.89	17.5	33.0	70.0	82.3	102	118	140	174	227	351	1.75	485	614	695
7 OPzV 700	1.75	7.83	9.20	18.0	33.6	71.1	83.7	104	121	144	178	234	366	1.65	534	708	837
	1.85	8.39	10.1	19.2	35.8	74.9	87.8	111	126	153	183	236	356	1.80	520	627	671
SEC 2ETG 800	1.80	8.60	10.2	20.0	37.7	80.0	94.0	116	135	160	199	259	401	1.75	554	702	794
8 OPzV 800	1.75	8.94	10.5	20.6	38.4	81.3	95.6	118	138	164	203	267	418	1.65	610	809	956
	1.85	9.43	11.1	21.6	40.3	84.3	99.0	125	141	172	205	266	401	1.80	585	706	755
SEC 2ETG 900	1.80	9.68	11.4	22.5	42.4	90.0	106	131	152	180	224	292	452	1.75	624	789	893
9 OPzV 900	1.75	10.1	11.8	23.2	43.2	91.8	107	133	156	185	229	300	470	1.65	687	910	1076
	1.85	10.5	12.3	24.0	44.7	93.7	110	139	157	191	228	295	445	1.80	650	784	839
SEC 2ETG 1000	1.80	10.8	12.7	25.0	47.1	100	118	145	169	200	249	324	502	1.75	693	877	992
10 OPzV 1000	1.75	11.2	13.1	25.8	48.0	102	119	148	173	205	254	333	522	1.65	763	1011	1196
	1.85	12.6	14.8	28.8	53.7	112	132	167	188	229	274	354	535	1.80	780	941	1006
SEC 2ETG 1200	1.80	12.9	15.2	30.0	56.5	120	141	174	203	240	298	389	602	1.75	832	1053	1190
12 OPzV 1200	1.75	13.4	15.8	30.9	57.6	122	143	177	207	246	305	400	626	1.65	915	1213	1435
	1.85	15.7	18.5	36.0	67.1	140	164	209	233	287	339	436	666	1.80	910	1034	1077
SEC 2ETG 1500	1.80	16.1	19.1	37.5	70.6	150	175	218	252	300	369	479	750	1.75	970	1157	1274
12 OPzV 1500	1.75	16.8	19.7	38.6	72.0	152	178	222	257	308	377	492	781	1.65	1068	1333	1535
	1.85	18.3	21.6	42.0	78.3	164	191	244	272	334	396	508	777	1.80	1062	1201	1257
SEC 2ETG 1750	1.80	18.8	22.2	43.8	82.4	175	205	254	294	350	430	558	875	1.75	1131	1350	1486
14 OPzV 1750	1.75	19.6	23.0	45.1	84.0	178	207	259	299	359	439	574	911	1.65	1246	1556	1791
	1.85	19.7	23.1	45.0	83.9	175	204	261	292	358	424	545	833	1.80	1138	1287	1346
SEC 2ETG 1875	1.80	20.2	23.8	46.9	88.3	188	219	272	315	375	460	598	938	1.75	1212	1447	1592
15 OPzV 1850	1.75	21.0	24.6	48.3	90.0	190	222	277	321	384	471	615	976	1.65	1335	1667	1919
	1.85	21.0	24.6	48.0	89.5	187	218	278	311	382	452	581	888	1.80	1214	1373	1436
SEC 2ETG 2000	1.80	21.5	25.4	50.0	94.2	200	234	290	336	400	491	638	1000	1.75	1293	1543	1698
16 OPzV 2000	1.75	22.4	26.3	51.5	96.1	203	237	296	342	410	502	656	1041	1.65	1424	1778	2047
	1.85	24.8	27.7	54.0	101	211	246	313	350	430	509	653	999	1.80	1365	1551	1616
SEC 2ETG 2250	1.80	25.4	28.6	56.3	106	225	263	326	378	450	553	718	1125	1.75	1455	1736	1911
18 OPzV 2250	1.75	26.4	29.6	57.9	108	229	267	333	385	461	565	738	1171	1.65	1602	2000	2303
	1.85	27.5	30.8	60.0	112	234	273	348	389	478	565	726	1110	1.80	1517	1723	1795
SEC 2ETG 2500	1.80	28.2	31.8	62.5	118	250	292	363	420	500	614	798	1250	1.75	1617	1929	2123
20 OPzV 2500	1.75	29.3	32.9	64.4	120	254	297	370	428	513	628	820	1301	1.65	1780	2222	2559
	1.85	31.4	37.0	72.0	134	281	327	418	467	573	677	871	1332	1.80	1820	2068	2154
SEC 2ETG 3000	1.80	32.3	38.1	75.0	141	300	350	435	504	600	737	957	1500	1.75	1940	2314	2548
24 OPzV 3000	1.75	33.5	39.4	77.3	144	305	356	444	513	615	754	984	1561	1.65	2136	2667	3071

Actual Capacity may be +/- 5% of figures shown



CELLYTE Gel OPzV Range - GVRLA Tubular Plate

Stationary & Solar / Cyclic Applications

SEC BLOC & CELL & DIN TYPE	End / Final VPC	Discharge Time In Hours Watts Per Cell @ 20 C.								End / Final VPC	Time Minutes Watts Per Cell 20 C.			Short Circuit Current	Internal Resistance Ohms
		10	8	6	5	4	3	2	1		30	15	10		
	1.80	19.9	23.6	27.6	33.7	37.2	49.4	64.5	97.0	1.75	142	192	223		
SEC 2ETG 100	1.75	20.2	23.9	28.5	34.3	38.6	50.5	66.0	101	1.70	149	207	246	960	1.65
2 OPzV 100	1.70	20.4	24.2	29.1	34.7	39.4	51.0	67.5	104	1.67	154	215	260		
	1.80	29.8	35.3	41.4	50.6	55.9	74.1	96.8	146	1.75	213	288	335		
SEC 2ETG 150	1.75	30.2	35.9	42.8	51.4	58.0	75.8	99.0	151	1.70	224	310	369	1450	1.25
3 OPzV 150	1.70	30.5	36.2	43.6	52.0	59.1	76.5	101	155	1.65	230	323	389		
	1.80	39.7	47.1	55.2	67.4	74.5	98.8	129	194	1.75	284	384	446		
SEC 2ETG 200	1.75	40.3	47.8	57.1	68.5	77.3	101	132	201	1.70	298	413	492	1600	1.20
4 OPzV 200	1.70	40.7	48.3	58.1	69.3	78.8	102	135	207	1.65	307	430	519		
	1.80	49.6	58.8	69.0	84.3	93.1	123	161	243	1.75	355	480	558		
SEC 2ETG 250	1.75	50.4	59.7	71.3	85.6	96.6	126	165	251	1.70	372	517	615	2000	1.10
5 OPzV 250	1.70	50.9	60.3	72.7	86.7	98.5	128	168	259	1.65	383	538	648		
	1.80	59.6	70.6	82.9	101	112	148	194	291	1.75	426	577	669		
SEC 2ETG 300	1.75	60.4	71.7	85.6	103	116	151	198	301	1.70	447	620	738	2400	1.00
6 OPzV 300	1.70	61.0	72.4	87.2	104	118	153	202	311	1.65	460	645	778		
	1.80	69.5	82.0	96.7	117	130	171	223	339	1.75	480	626	717		
SEC 2ETG 350	1.75	70.5	83.2	100	119	135	174	228	350	1.70	503	673	790	2800	0.90
5 OPzV 350	1.70	71.2	84.1	102	121	138	177	233	362	1.65	518	700	833		
	1.80	83.4	98.4	116	141	156	206	268	407	1.75	576	751	860		
SEC 2ETG 420	1.75	84.6	99.8	120	143	162	209	274	420	1.70	604	808	948	3360	0.80
6 OPzV 420	1.70	85.4	101	122	145	165	213	280	434	1.65	621	840	1000		
	1.80	97.3	115	135	164	183	240	313	474	1.75	672	876	1003		
SEC 2ETG 500	1.75	98.7	116	140	167	189	244	320	491	1.70	704	942	1106	3920	0.73
7 OPzV 490	1.70	100	118	142	169	193	248	326	506	1.65	725	980	1166		
	1.80	119	139	166	199	223	290	376	578	1.75	779	962	1069		
SEC 2ETG 600	1.75	121	141	171	202	232	295	385	598	1.70	816	1034	1178	4800	0.62
6 OPzV 600	1.70	122	143	174	205	236	300	393	617	1.65	840	1076	1243		
	1.80	139	163	193	232	261	339	439	675	1.75	908	1122	1247		
SEC 2ETG 700	1.75	141	165	200	236	270	345	449	698	1.70	952	1207	1375	5600	0.45
7 OPzV 700	1.70	143	167	203	239	276	350	459	720	1.65	980	1256	1450		
	1.80	159	186	221	265	298	387	502	771	1.75	1038	1282	1425		
SEC 2ETG 800	1.75	161	189	228	270	309	394	513	798	1.70	1088	1379	1571	6400	0.28
8 OPzV 800	1.70	163	191	232	273	315	400	524	823	1.65	1120	1435	1657		
	1.80	199	232	249	332	335	483	627	964	1.75	1298	1603	1782		
SEC 2ETG 900	1.75	201	236	257	337	348	492	641	997	1.70	1360	1724	1964	7200	0.36
9 OPzV 900	1.70	203	238	262	341	355	500	654	1029	1.65	1400	1793	2071		
	1.80	199	232	276	332	372	483	627	964	1.75	1298	1603	1782		
SEC 2ETG 1000	1.75	201	236	285	337	386	492	641	997	1.70	1360	1724	1964	8000	0.26
10 OPzV 1000	1.70	203	238	291	341	394	500	654	1029	1.65	1400	1793	2071		
	1.80	238	279	331	398	447	580	753	1157	1.75	1557	1923	2138		
SEC 2ETG 1200	1.75	242	283	342	404	464	591	769	1196	1.70	1632	2069	2357	9600	0.45
12 OPzV 1200	1.70	244	286	349	409	473	600	785	1234	1.65	1680	2152	2486		
	1.80	298	346	414	493	559	717	926	1442	1.75	1817	2114	2288		
SEC 2ETG 1500	1.75	302	351	428	501	580	730	946	1491	1.70	1903	2274	2522	12000	0.23
12 OPzV 1500	1.70	305	355	436	507	591	742	966	1538	1.65	1960	2365	2660		
	1.80	347	404	483	576	652	836	1080	1682	1.75	1854	2158	2336		
SEC 2ETG 1750	1.75	353	410	499	585	676	851	1104	1739	1.70	1943	2321	2575	13300	0.26
14 OPzV 1750	1.70	356	415	509	592	690	865	1127	1795	1.65	2001	2415	2716		
	1.80	372	433	518	617	698	895	1157	1802	1.75	2119	2467	2670		
SEC 2ETG 1875	1.75	378	440	535	626	725	912	1183	1863	1.70	2221	2653	2943	14700	0.25
15 OPzV 1850	1.70	382	444	545	634	739	927	1208	1923	1.65	2286	2760	3104		
	1.80	397	462	552	658	745	955	1234	1922	1.75	2422	2819	3051		
SEC 2ETG 2000	1.75	403	469	571	668	773	973	1262	1987	1.70	2538	3032	3363	16000	0.32
16 OPzV 2000	1.70	407	474	581	676	788	989	1288	2051	1.65	2613	3154	3547		
	1.80	446	519	621	740	838	1075	1389	2163	1.75	2725	3171	3433		
SEC 2ETG 2250	1.75	454	527	642	752	869	1094	1419	2236	1.70	2855	3411	3784	1800	0.30
18 OPzV 2250	1.70	458	533	654	761	887	1112	1449	2308	1.65	2940	3548	3991		
	1.80	496	577	690	822	931	1194	1543	2403	1.75	3028	3523	3814		
SEC 2ETG 2500	1.75	504	586	713	835	966	1216	1577	2484	1.70	3172	3790	4204	20000	0.28
20 OPzV 2500	1.70	509	592	727	846	985	1236	1610	2564	1.65	3267	3942	4434		
	1.80	596	693	829	987	1117	1433	1852	2883	1.75	3634	4228	4576		
SEC 2ETG 3000	1.75	604	703	856	1002	1159	1460	1893	2981	1.70	3807	4548	5045	24000	0.23
24 OPzV 3000	1.70	610	710	872	1015	1182	1483	1932	3076	1.65	3920	4731	5320		

Actual Capacity may be +/- 5% of figures shown

Recombination principal

With sealed batteries the principle of internal recombination is used:

The oxygen, which is produced in the positive plate during charging causes an oxidation process which occurs at the negative plate. Through various interim stages lead sulphate is produced which is constantly converted to active material by the charging current and releases water. This creates a closed water regeneration cycle. By using special alloys with a high electrode potential the formation of hydrogen at the negative electrodes is almost entirely suppressed.

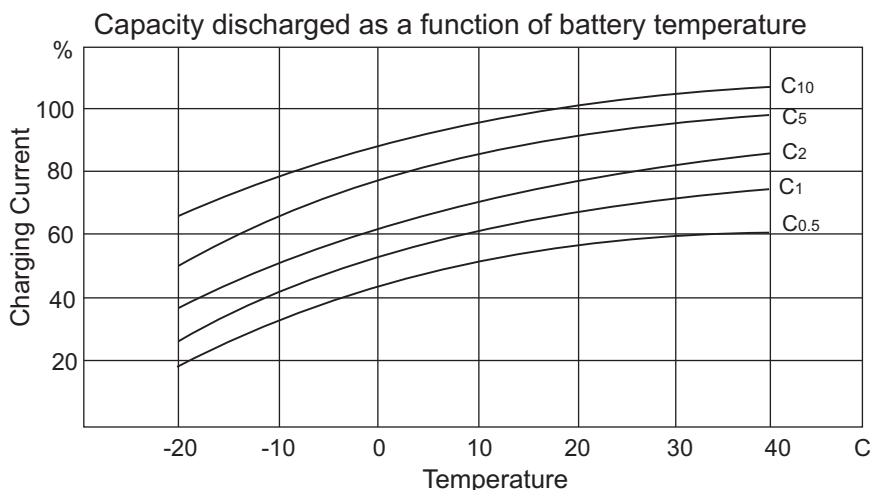
The recombination principle reliably reduces water loss and the escape of electrolyte gases. Should excess gases be produced through overcharging or misuse! these can escape through a vent.

Charging

In practice constant voltage charging has become generally accepted for continuous battery power supply. Using this method of charging the battery can be charged at either 2.25 V/cell or 2.35 V/cell. A complete recharge is also possible at a voltage of 2.25 V/cell.

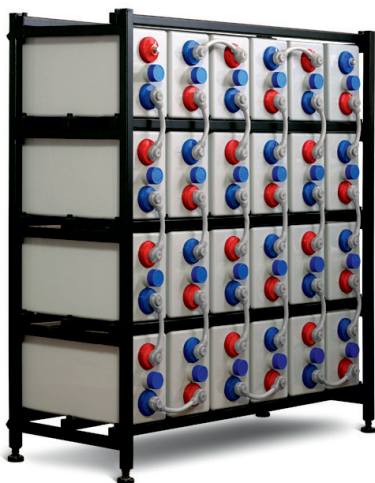
A charging current limit is not necessary up to a charging voltage of 2.35 V/cell. The battery room ventilation corresponds to EN 50 272-2/DIN VDE 0510 part 2. The absolute gas-tight construction allows the battery to be operated in both a vertical and horizontal position.

Operating Temperature : -25 to +55C. However we recommend that the batteries be operated in the temperature range of 20 to 25C. to obtain full life and optimum performance.

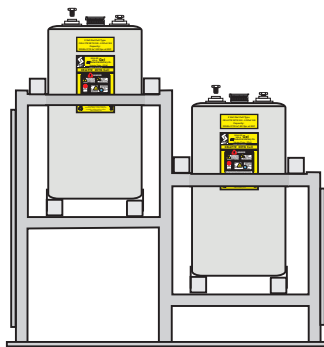


CELLYTE Gel OPzV Range - Horizontal & Vertical Racking Systems.

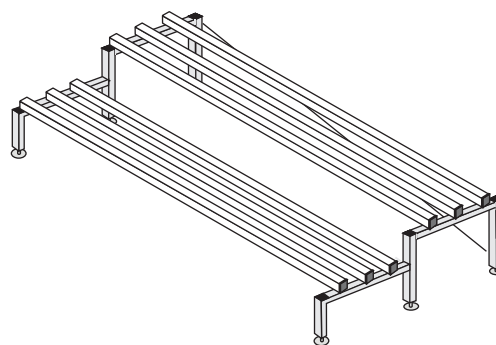
SEC OPzV Range of Batteries can be mounted on/in vertical or Horizontal Racking System
It is recommended to mount only up to 800Ah. batteries in horizontal position,
and from 1000Ah. to 3000Ah. in vertical position



Typical tubular rack for horizontal configuration up to 800Ah. SEC 2ETG Gel OPzV range of batteries

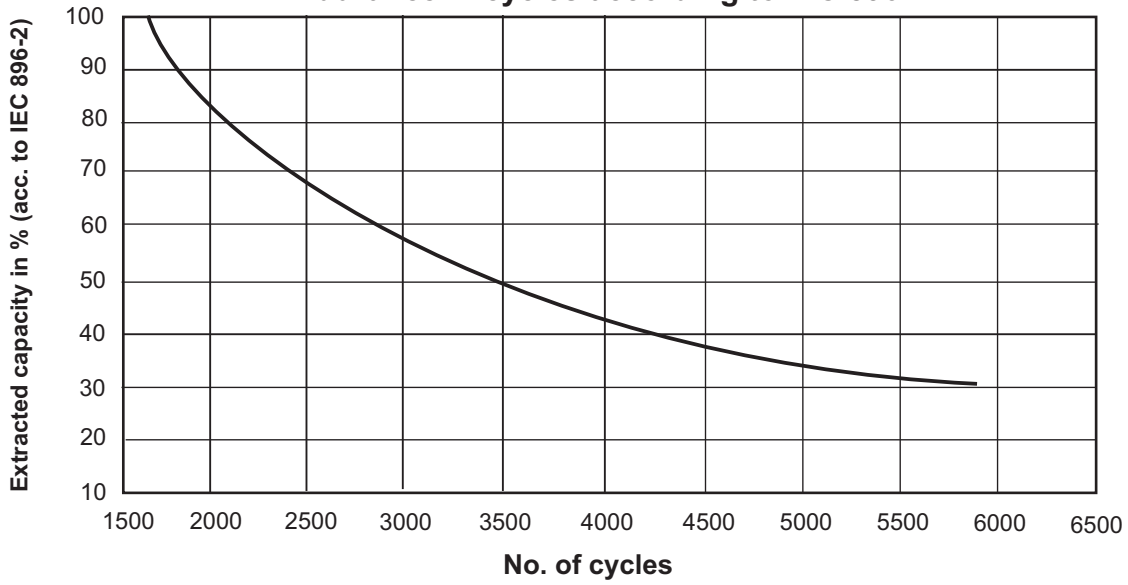


Typical Zone 4 tubular rack for vertical configuration from 1000Ah. to 3000Ah. SEC 2ETG Gel OPzV range of batteries

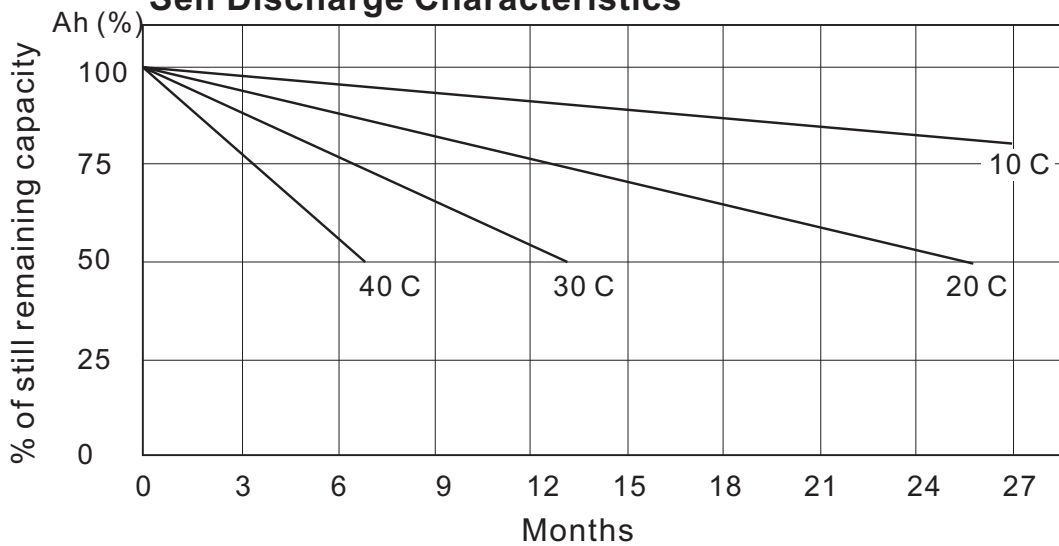


Typical tubular step rack for vertical configuration from 1000Ah. to 3000Ah. SEC 2ETG Gel OPzV range of batteries

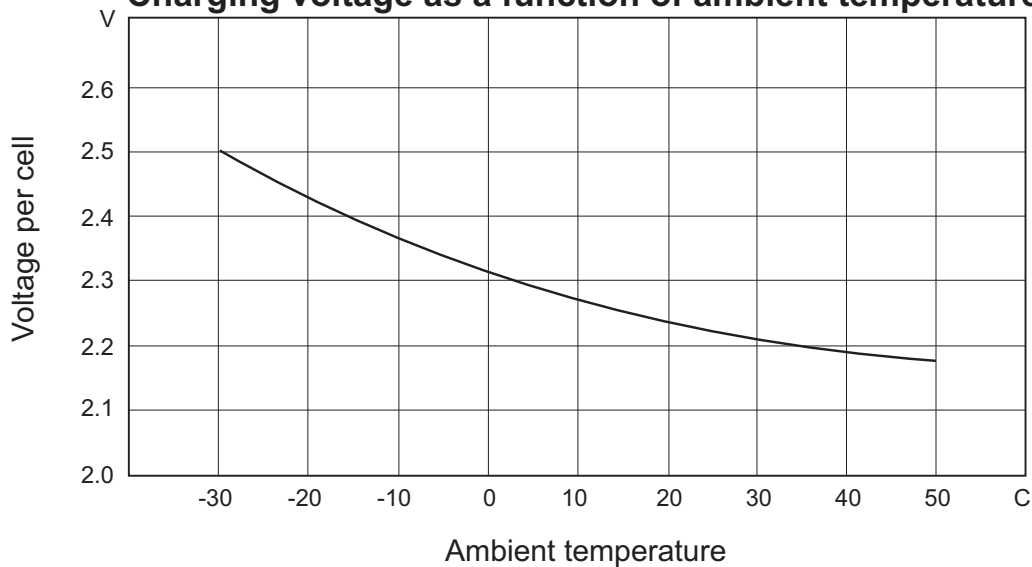
Endurance in cycles according to IEC 896-2



Self Discharge Characteristics



Charging voltage as a function of ambient temperature



SEC Industrial Battery Co. range of products

<p>CELLYTE 2CMT/G Modular Steel Rack</p>	<p>CELLYTE 2TLAM/G Tubular Steel Rack</p>	<p>CELLYTE 2CMT/G, CELLYTE 2TLAM/G with Catalyst</p>	
<p>CELLYTE 12PLF & 12PLT Range</p>	<p>CELLYTE 12FTA/G Range</p>	<p>CELLYTE 6-12TUA Range</p>	<p>CELLYTE 6-12TSG Range</p>
<p>CELLYTE 6-12TLA Range</p>	<p>CELLYTE 6-12TLG Range</p>	<p>MICROLYTE +Plus Range</p>	<p>MICROLYTE Red Top Range</p>
<p>CELLYTE 2ETG OPzV Range Tubular Steel Rack</p>	<p>SEC Tubular OPzS Range</p>	<p>Nickel Cadmium Range Pocket Plate flooded and Valve Regulated</p>	<p>Typical VRLA catalyst</p>

SEC Industrial Battery Co. Ltd.
Thorney Weir House, Iver
Bucks SLO 9AQ, ENGLAND
Tel 44 1895 431543
Fax 44 1895 431880
brian.harper@secbattery.com

SEC European Sales Office
42 rue de la Rochette
77000 Melun
France
Tel 33 6 75 59 06 92
christian.dhainaut@secbattery.com

SEC Industrial Battery Co. Bsc
P.O. Box 32225
Kingdom of Bahrain
Tel 97317 721322
Fax 97317 740743
sujo.pulikottil@secbattery.com

SEC Industrial Battery Co. Ltd.
Unit 6. 6/f, Hewlett Centre
No. 54 Hoi Yuen Road, Kwun Tong
Tel 852 230 44382
Fax 852 230 44013
duncan.low@secbattery.com

SEC
Industrial Battery Co.
world wide supplier

